

INTERNATIONAL CATALYTIC MUFFLERS

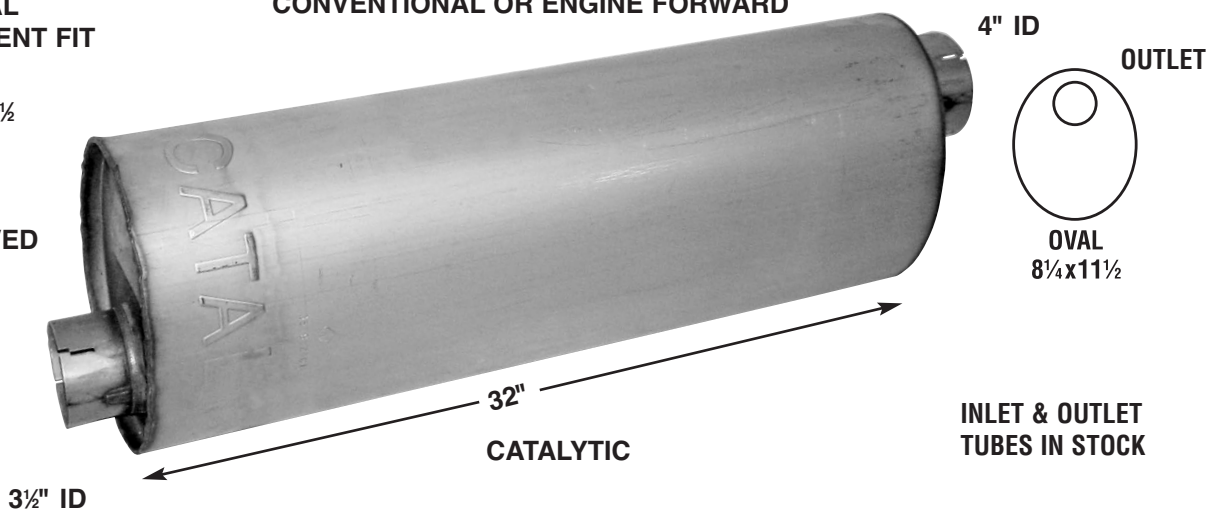
2005 & UP CE

ORIGINAL
EQUIPMENT FIT

8¼x11½
Oval

E.P.A.
APPROVED

CONVENTIONAL OR ENGINE FORWARD



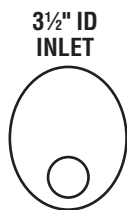
AUTO-JET PART # 350400CAT

RETRO-FIT INTERNATIONAL CATALYTIC MUFFLER

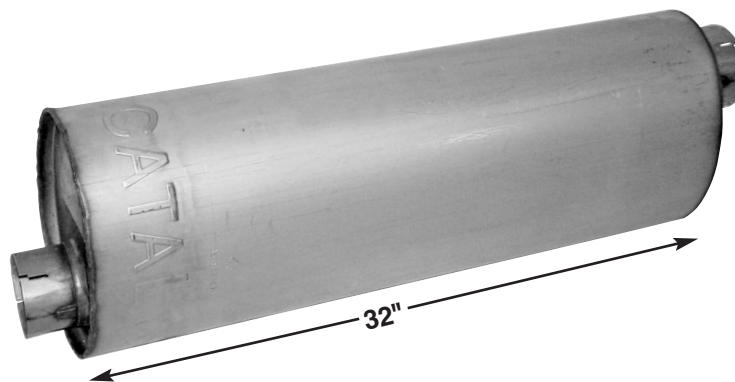
2004 & BELOW

ENGINES: DT466-DT360-T444

Oval
8¼x11½



3½" ID
INLET



4" ID
OUTLET



E.P.A. APPROVED
ORIGINAL EQUIPMENT FIT

AUTO-JET PART # 350400CAT

NOTE: DUE TO LIMITED SUPPLY OF CATALYSTS, CATALYTIC MUFFLERS MAY BE SUBJECT TO LEAD TIME.

MATERIAL 409 STAINLESS STEEL

NOTE: CATALYTIC MUFFLERS ARE APPROVED FOR ENGINES = TO OR < 250 H.P.

AUTO-JET MUFFLER CORP.

U.S. toll free 1-800-247-5391 • Fax 515-224-0727 • website: www.auto-jet.com
Canada toll free 1-866-229-3402 • Fax 519-455-1103 • website: www.unitedmuffler.com

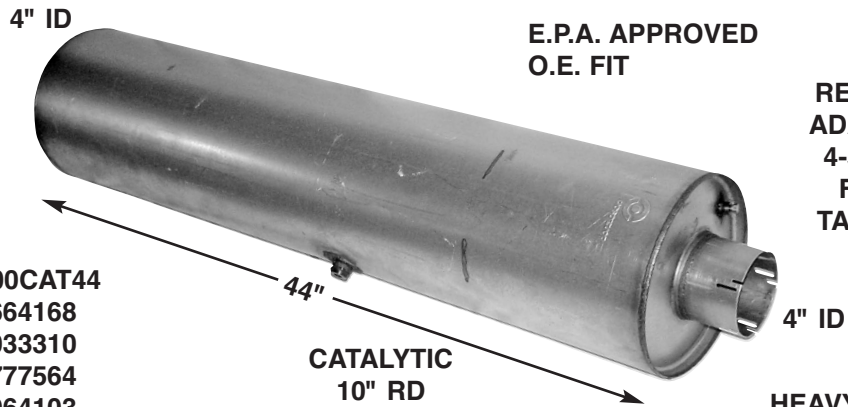
CAT 1

BLUEBIRD EXHAUST SYSTEMS CATALYTIC MUFFLERS

ENGINE: CUMMINS B-SERIES & 8.3 CATERPILLAR 3116 & 3126

MODELS:
ENGINE FORWARD
TC 2000 & ALL AMERICAN
VISION

AUTO-JET PART # 400CAT44
OE# 1664168
0033310
1777564
0064103



E.P.A. APPROVED
O.E. FIT

REQUIRES
ADAPTER #
4-5 OD-ID
FOR 5"
TAILPIPES

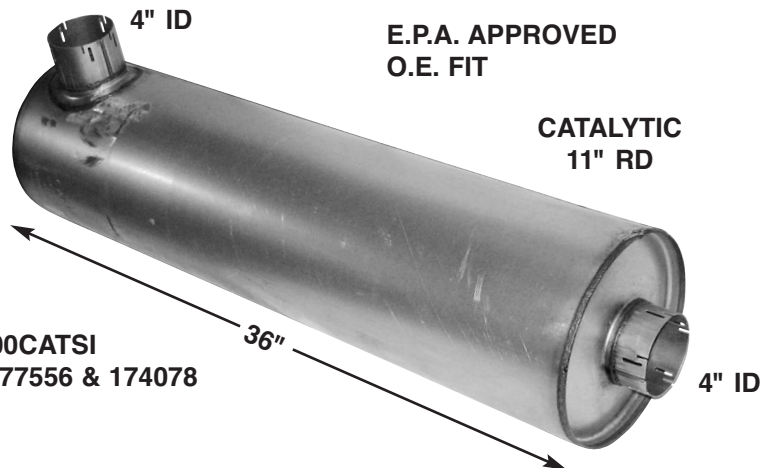
HEAVY DUTY
HANGERS IN STOCK

HEAVIER DUTY HANGERS ARE IN STOCK!
OE PART #'S ARE FOR CROSS REFERENCE PURPOSES ONLY

ENGINE: CATERPILLAR

MODELS:
REAR ENGINE TC 2000 &
ALL AMERICAN WITH
SIDE INLET MUFFLER

AUTO-JET PART # 400CATSI
OE# 1777556 & 174078



E.P.A. APPROVED
O.E. FIT

REQUIRES
400 EXT.
8" LONG

OE PART #'S ARE FOR CROSS REFERENCE PURPOSES ONLY

MATERIAL 409 STAINLESS STEEL

NOTE: CATALYTIC MUFFLERS ARE APPROVED FOR ENGINES = TO OR < 250 H.P.

AUTO-JET MUFFLER CORP.

U.S. toll free 1-800-247-5391 • Fax 515-224-0727 • website: www.auto-jet.com
Canada toll free 1-866-229-3402 • Fax 519-455-1103 • website: www.unitedmuffler.com

CAT 2

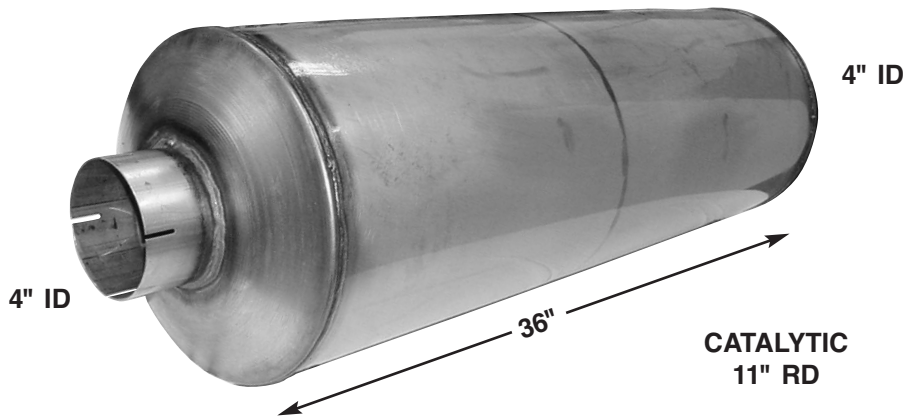
FORD CATALYTIC MUFFLERS

1996 & UP FORD

ENGINES:
B-SERIES CUMMINS

O.E. FIT
E.P.A. APPROVED

MUFFLER HANGER



AUTO-JET PART# 400CATCTR
OE# E7HZ5F25OYA



FORDCATMH
OE# E7HZ5A215B

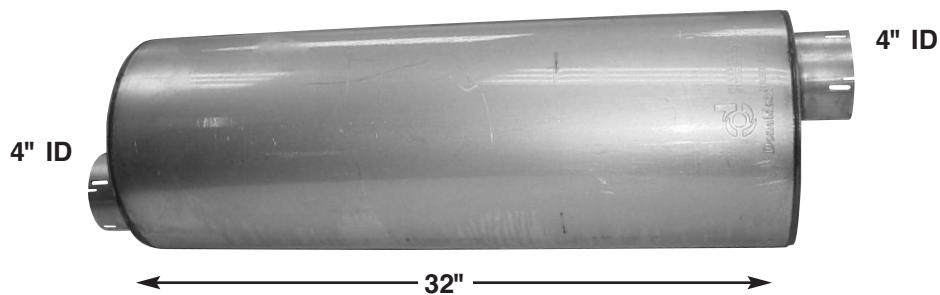
OE #'S ARE FOR CROSS REFERENCE ONLY

1987 TO 1995 FORD RETROFIT MUFFLER

ENGINES:
B-SERIES CUMMINS
6.6-7.8 LITRE

O.E. FIT
E.P.A. APPROVED

CATALYTIC 11" RD



AUTO-JET PART# 400CATOFF
REQUIRES:
HEAVY DUTY HANGERS
PART # 400 FDAMH
4" EXTENSION 8" LONG

OE #'S ARE FOR CROSS REFERENCE ONLY

MATERIAL 409 STAINLESS STEEL

NOTE: CATALYTIC MUFFLERS ARE APPROVED FOR ENGINES = TO OR < 250 H.P.

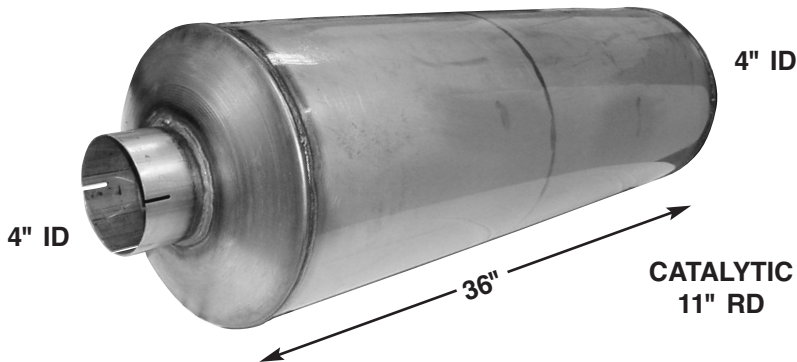
AUTO-JET MUFFLER CORP.

U.S. toll free 1-800-247-5391 • Fax 515-224-0727 • website: www.auto-jet.com
Canada toll free 1-866-229-3402 • Fax 519-455-1103 • website: www.unitedmuffler.com

CAT 3

FREIGHTLINER CATALYTIC MUFFLERS

E.P.A. APPROVED
ORIGINAL EQUIPMENT FIT

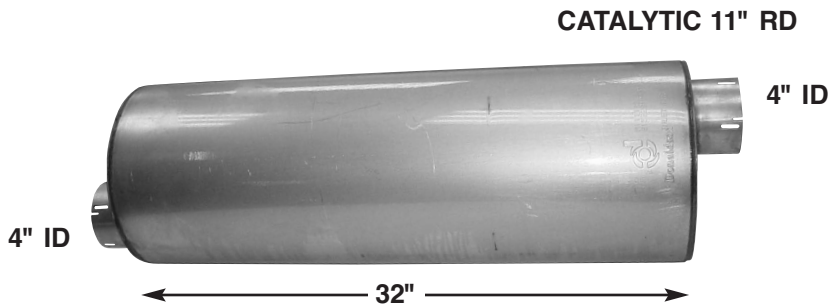


AUTO-JET # FRLMH919
OE # A04-20919-000

OE PART #'S ARE FOR CROSS
REFERENCE PURPOSES ONLY

ENGINE APPLICATION: 3126 CAT. – MERCEDES
AUTO-JET PART # 400CATCTR

E.P.A. APPROVED
ORIGINAL EQUIPMENT FIT



B-SERIES CUMMINS
REQUIRES 4-3 OD-ID REDUCER

ENGINE APPLICATION: B-SERIES CUMMINS
3116 & 3126 CAT. – MERCEDES
AUTO-JET PART # 400CATOFF

MATERIAL 409 STAINLESS STEEL

NOTE: CATALYTIC MUFFLERS ARE APPROVED FOR ENGINES = TO OR < 250 H.P.

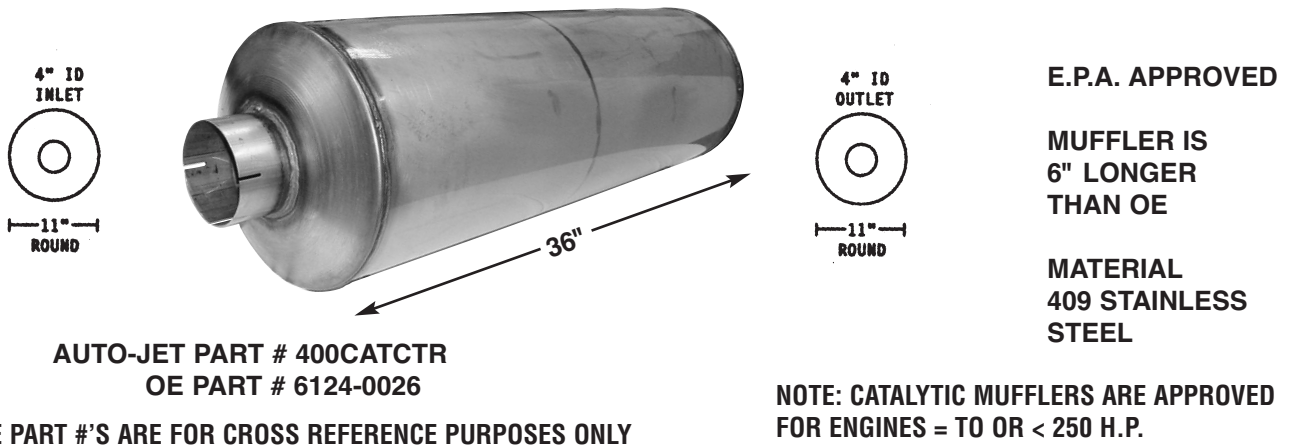
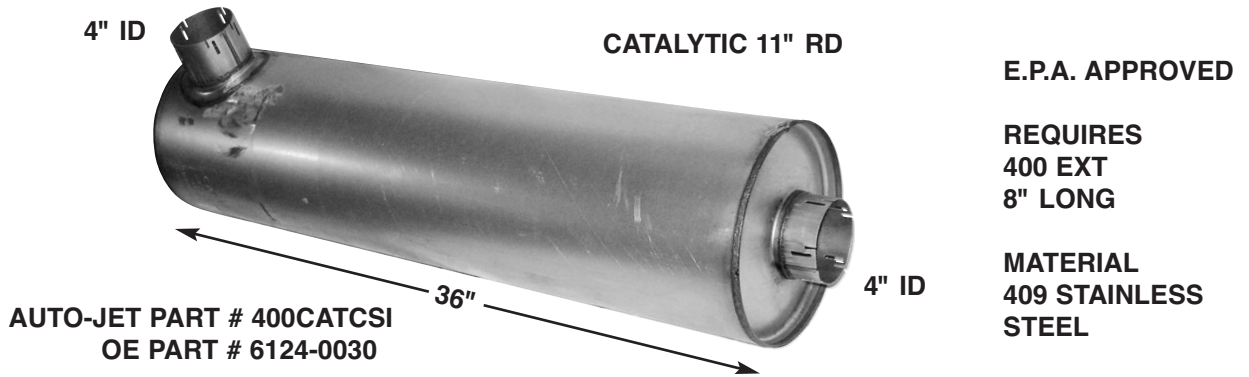
AUTO-JET MUFFLER CORP.

U.S. toll free 1-800-247-5391 • Fax 515-224-0727 • website: www.auto-jet.com
Canada toll free 1-866-229-3402 • Fax 519-455-1103 • website: www.unitedmuffler.com

CAT 4

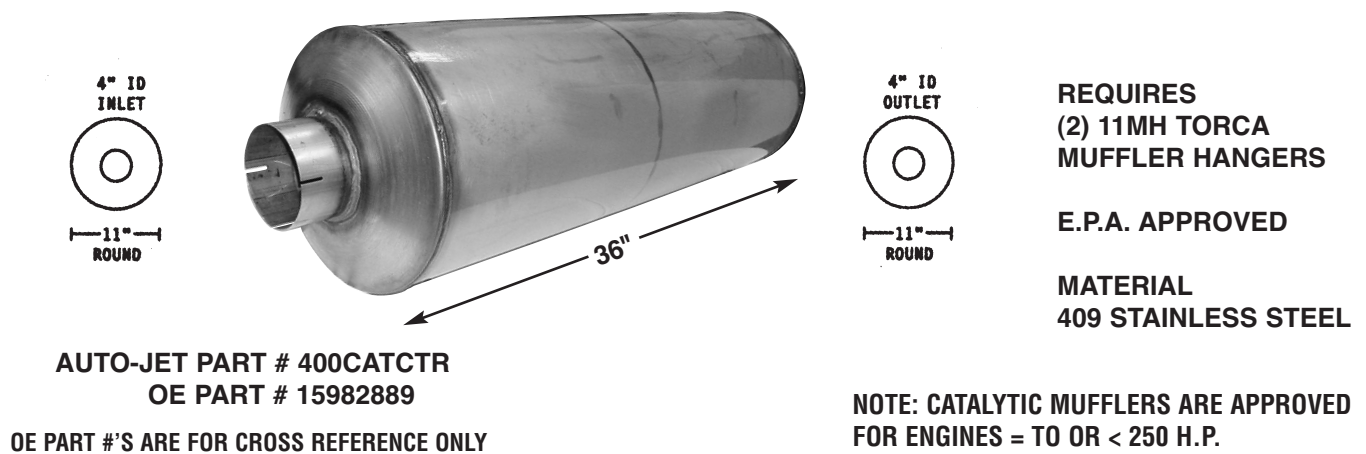
THOMAS EXHAUST SYSTEMS CATALYTIC MUFFLERS

ENGINE: CATERPILLAR



GMC - BLUE BIRD CATALYTIC MUFFLER

ENGINE 3126 CATERPILLAR



AUTO-JET MUFFLER CORP.

U.S. toll free 1-800-247-5391 • Fax 515-224-0727 • website: www.auto-jet.com
Canada toll free 1-866-229-3402 • Fax 519-455-1103 • website: www.unitedmuffler.com

CAT 5

